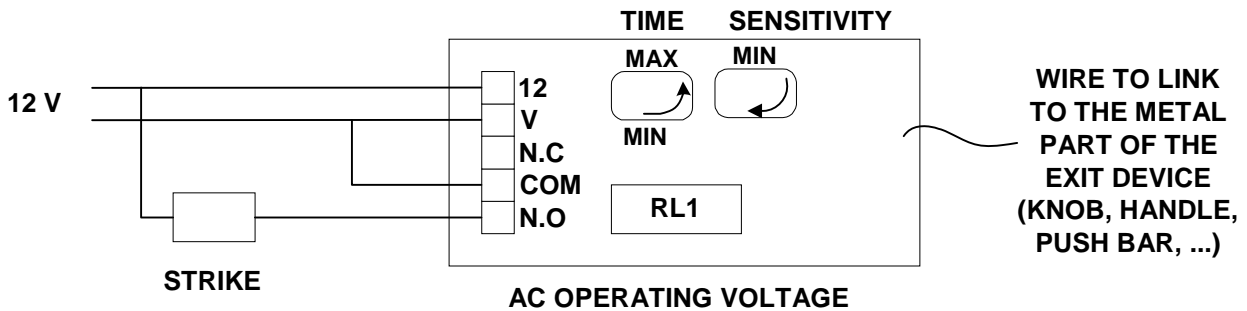
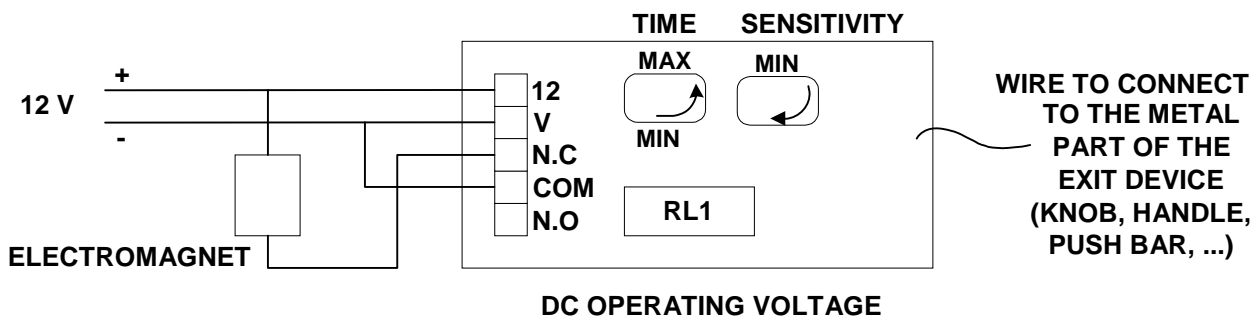




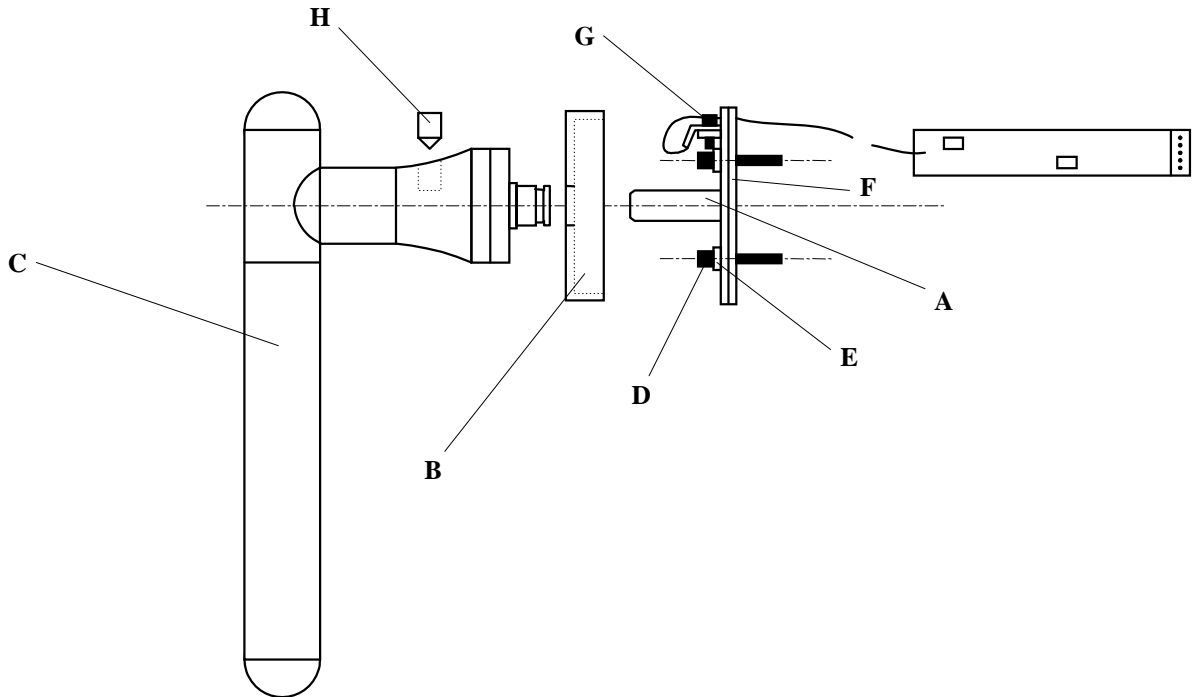
# BEI/BEL

## STAINLESS STEEL HANDLE STAINLESS STEEL/BRASS HANDLE TOUCH SENSITIVE EXIT DEVICE



- THE TIME SWITCH IS SET AT THE MINIMUM LEVEL, ADJUST THE TRIGGERING SENSITIVITY, THEN ADJUST THE DOOR RELEASE TIME .
- THE DOOR RELEASE TIME IS ADJUSTABLE FROM ABOUT 2 TO 20 SECONDS.
- INPUT VOLTAGE 12 V DC/AC FROM MAINS 230 V.
- **NOTE** : METAL DOOR'S STRUCTURES HAVE TO BE CONNECTED TO HEARTH.

## Mounting instructions



- A - HANDLE BASIS TO MOUNT ON THE DOOR
- B - COVER
- C - HANDLE
- D - 3xSCREWS  $\varnothing 4 \times 12$
- E - 3x INSULATING PARTS
- F - INSULATING
- G - SCREW  $\varnothing 3 \times 8$
- H - SCREW TO TIGHT THE HANDLE