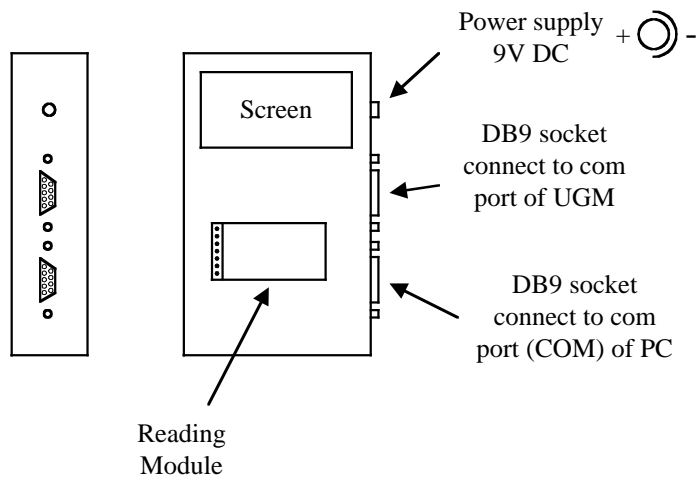




CMPP

PROGRAMMING UNIT

Programming unit



Present the badge in front of the reading module. The badge code is transmitted to the PC and displayed on the screen. When it is not being used as a learning device the recording reader connected or not to PC and UGM, can help visualizing the badge code.

