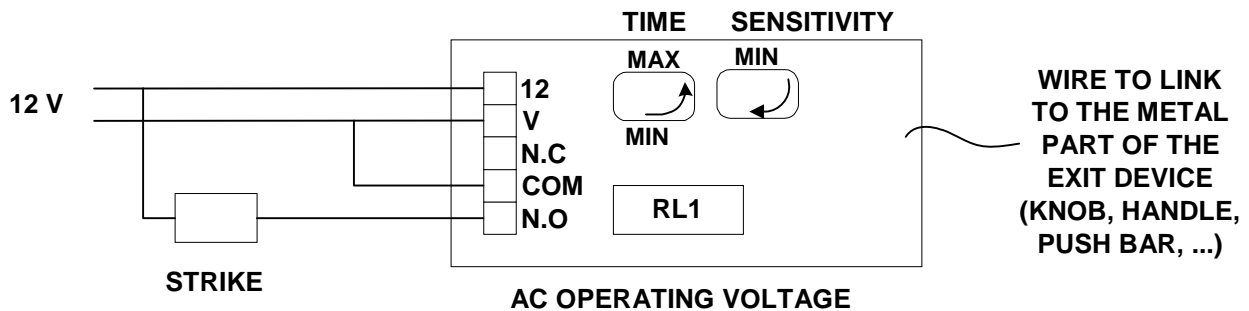
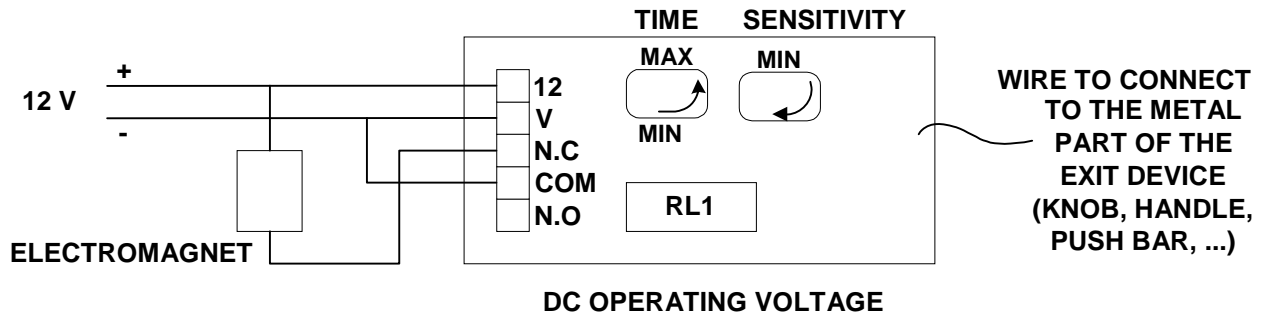




E.S.T

SENSITIVE CONTROL



- THE TIME SWITCH IS SET AT THE MINIMUM LEVEL, ADJUST THE TRIGGERING SENSIBILITY, THEN ADJUST THE DOOR RELEASE TIME .
- THE DOOR RELEASE TIME IS ADJUSTABLE FROM ABOUT 2 TO 20 SECONDS.
- INPUT VOLTAGE 12 V DC/AC FROM MAINS 230 V.
- NOTE : METAL DOOR'S STRUCTURES HAVE TO BE CONNECTED TO HEARTH.