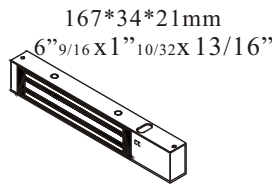
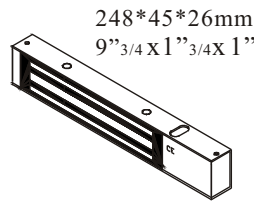


# VF1S/V3S/V3SR/V5S/V5SR

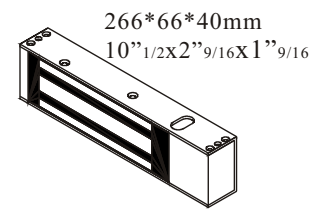
## Surface Mounting Electromagnet Lock Installation Instruction (Aluminum series)



VF1S



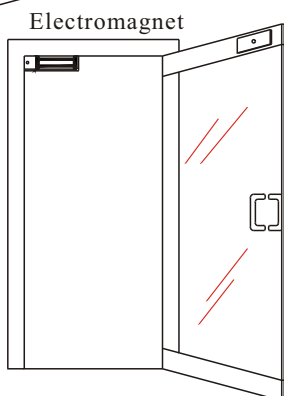
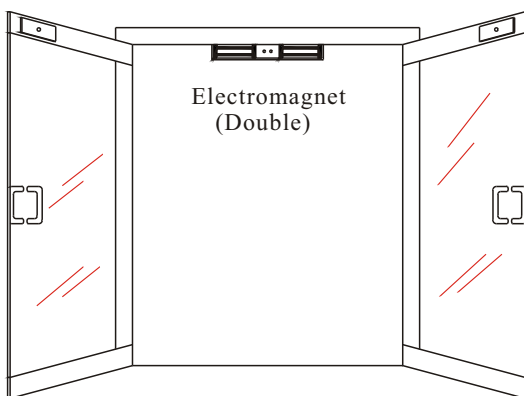
V3S/V3SR



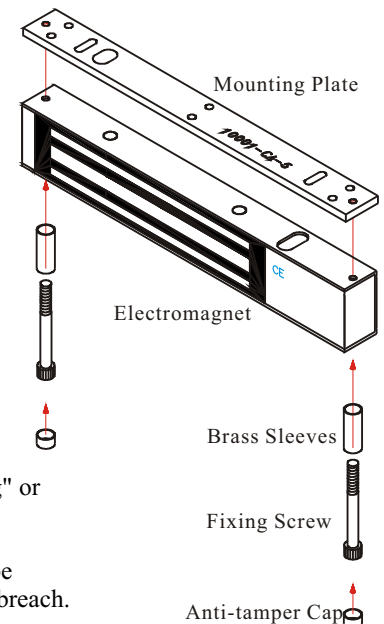
V5S/V5SR

### Specifications:

<b>Holding Force</b>	VF1S: 180Kg/400lb V3S/V3SR: 300Kg/660lb V5S/V5SR: 500Kg/1100lb	Tested
<b>Power Supply</b>	12VDC/24VDC	Adjust jumper for voltage selection
<b>Operation Current Draw</b>	500mA @ 12VDC 250mA @ 24VDC	1 year warranty under normal application
<b>Finish</b>	Electromagnet Surface: zinc Housing: Anodized	
<b>Application</b>	Out-swing and In-swinging	Optional bracket for the application of door
<b>Monitoring Output</b>	Hall Effect Sensor Reed Sensor: V5S	Optional

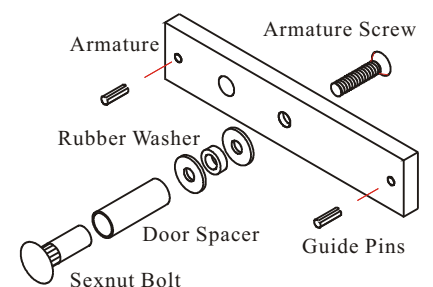


(While there is difference of spare parts with contents of this leaflet, the reality should be constructed)

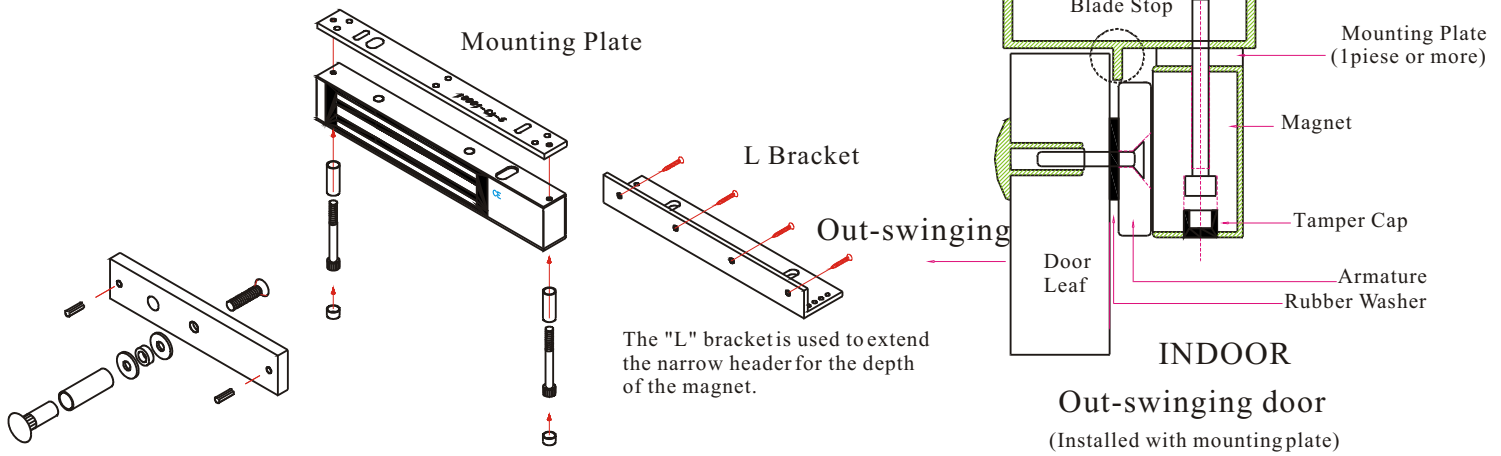


### Installation Instruction:

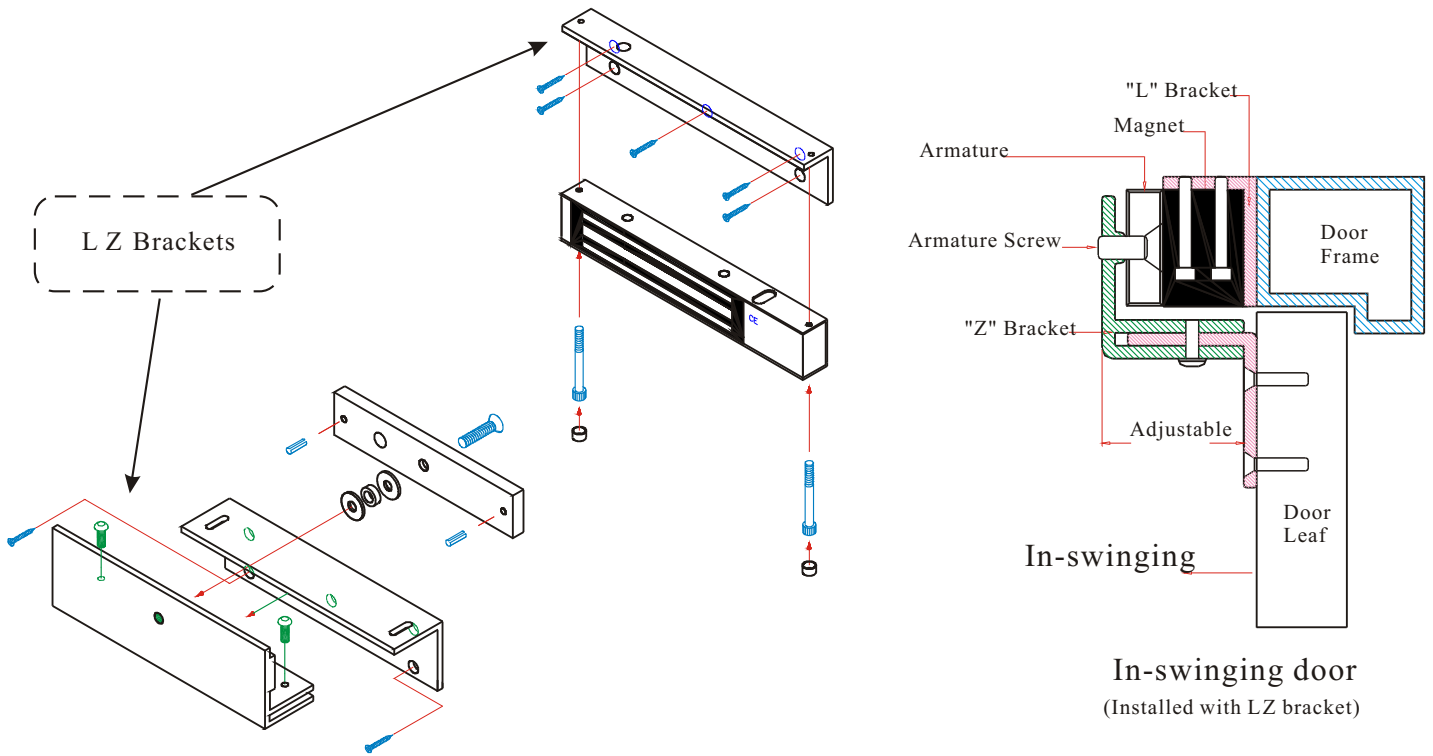
1. After identify what the type of door ("out-swinging" or "In-swinging"), and optional bracket for application.
2. The installation of electromagnet and cable must be reserved into the jamb that averted unlawful studied breach.
3. Electromagnet assembly must be mounted against vertical jamb for maximum efficiency.



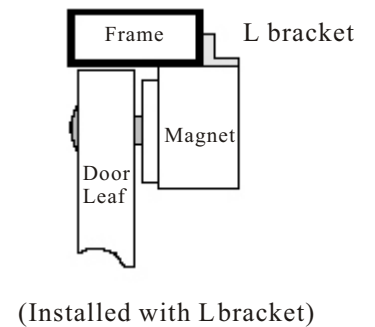
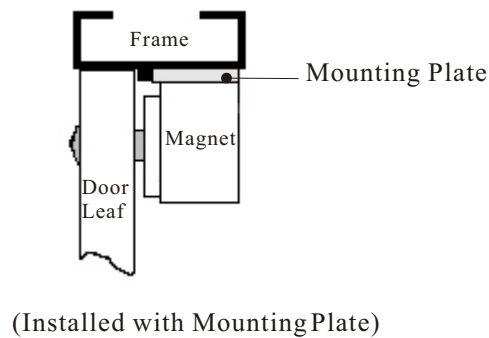
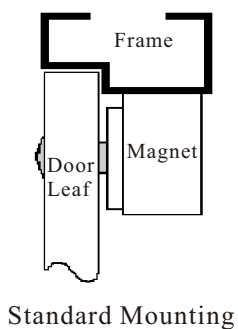
## TYPICAL MOUNTING ON OUT-SWINGING DOOR



## TYPICAL MOUNTING ON IN-SWINGING DOOR



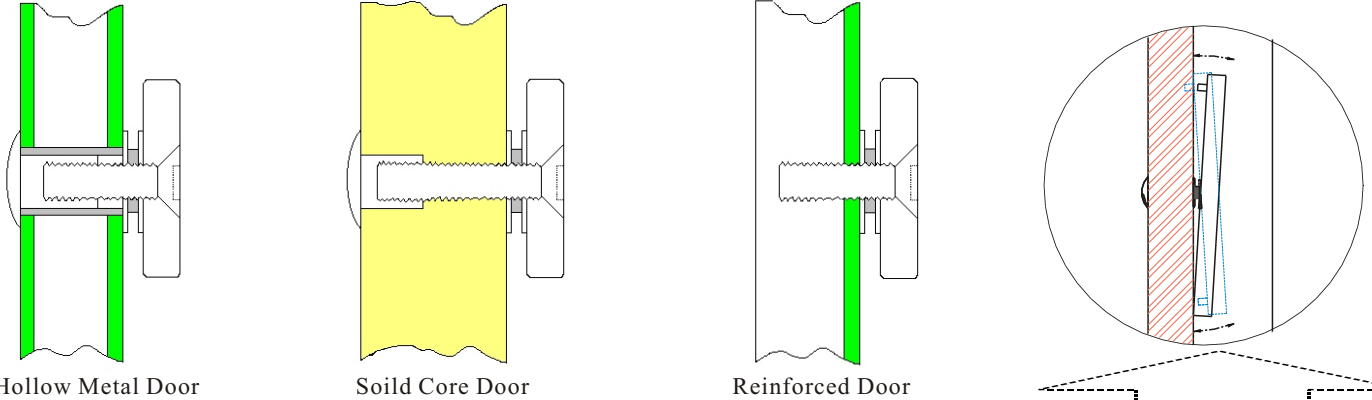
Inspect the door frame and determine if L bracket or mounting plate is required.



**Step 1**  
 Fold the template along the dotted line to form a 90 degree angle. Close and latch the door. Place the template against the door and the door jamb. Stick the template in place with masking tape if necessary. Note the lock is to be fitted to the "protected side" of the door. Transfer the hole location to the door and jamb as indicated on the template.

**Step 2**  
 Before drilling the holes refer to figure(as follow)for the correct armature mounting alignment.

**Step 3**  
 Drill two holes in the doorjamb for the mounting plate and screw into place using supplied self-tapping screws.



<p><b>Hollow Metal Door</b></p> <p>Drill an 8mm hole through door, From sexnut dolt side only enlarge the 8mm hole to 16mm</p>	<p><b>Soidl Core Door</b></p> <p>Drill an 8mm hole through door ,from sexnut bolt side of door. Drill 12.7mm(1/2") hole 25mm in depth.</p>	<p><b>Reinforced Door</b></p> <p>Drill an 6.8mm dia. hole and tap for M8-1.25 thread</p>
--	--	--

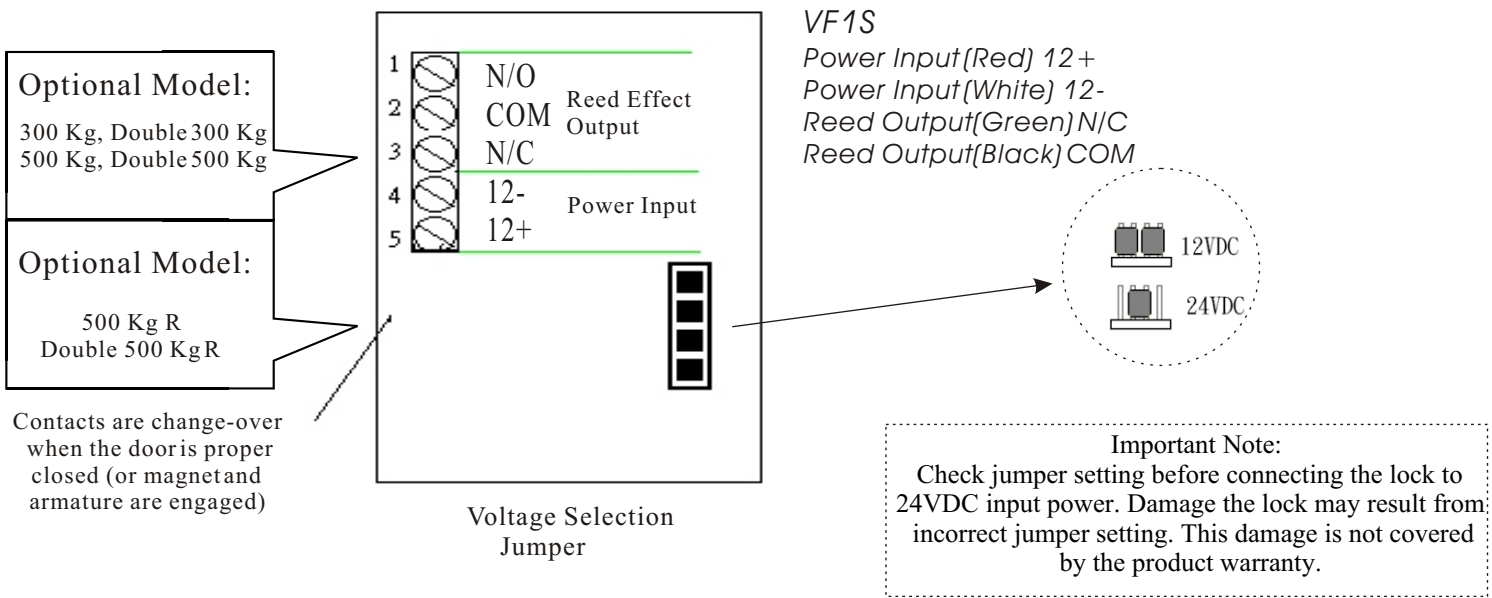
**NOTE:**  
 The Armature plate faces must be able to pivot slightly about its center mounting screw to compensate for any door misalignment.

**Step 4**  
 Temporarily fit the magnet to the mounting place and confirm the magnet and armature meet evenly over their entire mating surfaces. The mounting plate can be adjusted by sliding it into correct positing. Once the magnet is in the correct position, remove it from the mounting plate and secure the mounting plate fully using the additional fixing points and hardware supplied.

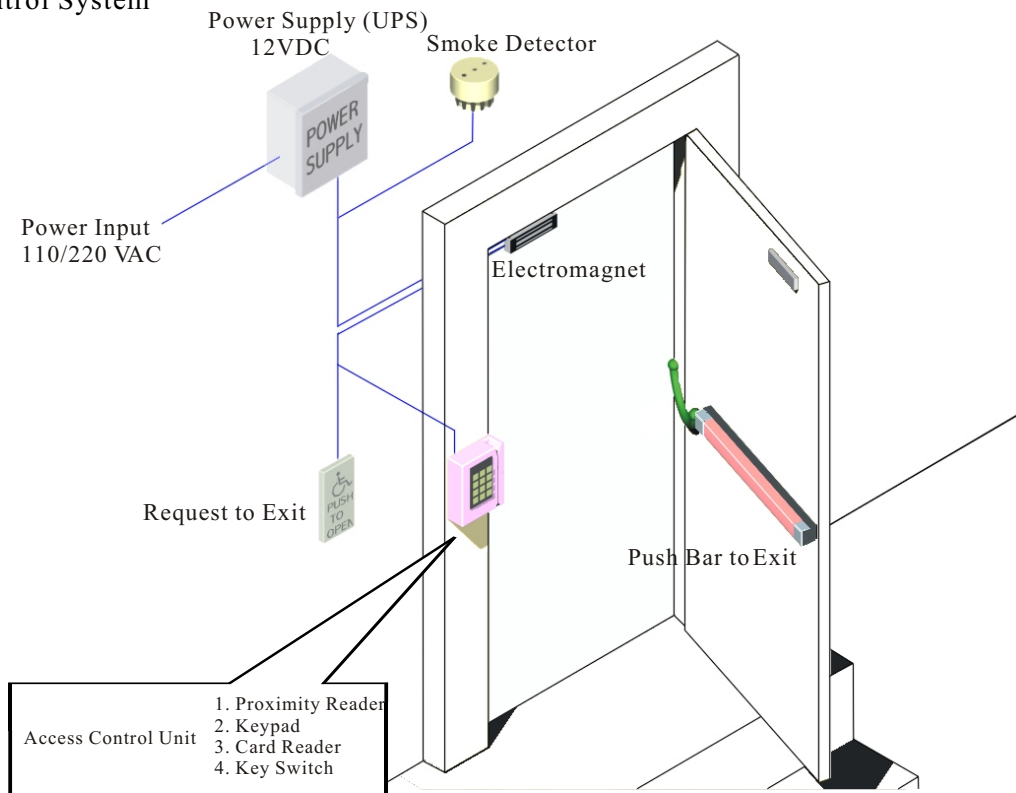
**Step 5**  
 Drill a hole in the doorjamb for cable entry to the magnet. Fix the magnet securely to the mounting plate and terminate the cables.

**Step 6**  
 Ensure the magnet is set to the correct voltage and apply power. When you close the door the armature should bond securely to the magnet.

**Step 7**  
 Adjust the door closer to ensure the armature close lightly against the magnet to avoid damage to the mating surfaces and unnecessary noise.



## Access Control System



- ☆ The magnet and armature have a special coating to protect the against corrosion .The mating surfaces of the magnet and armature must be protected at all times damage.
- ☆ Damage to the mating surfaces may reduce the efficiency of the lock and cause rust.
- ☆ Keep both the magnet and armature free of dirt and rust.
- ☆ To insure peak lock performance, clean the lock and armature face with a mild detergent and a clean soft cloth, then apply a light coat of rust inhibitor such as WD40 to lubricate and protect these surface. This need only be done when dirt blind-up is noticed.
- ☆ Electromagnetic locks by their design require little maintenance, however the following procedures will ensure that the lock performs to it's maximum.

## Trouble Shooting

Problem	Possible cause	Solution
The door can not be locked.	There's no DC voltage applied to the lock.	<input type="checkbox"/> Check the wires are terminated securely and connected to correct terminals <input type="checkbox"/> Check the power supply is connected and operating correctly. <input type="checkbox"/> Check the lock is wired correctly in the circuit.
Reduced holding force.	The magnet and armature plate are not mating properly.	<input type="checkbox"/> Check the lock is wired correctly in the circuit. <input type="checkbox"/> Ensure the magnet and armature are aligned to mate properly. <input type="checkbox"/> Check the mating surfaces are free from dirt and rust.
	Low voltage or incorrect voltage setting.	<input type="checkbox"/> Ensure the correct voltage has been supplied to the lock. <input type="checkbox"/> Ensure the lock is set for the correct voltage.
Reed switch is not functioning.	Secondary diode installed voltage setting.	Remove any diode installed across the magnet for "spike" suppression. (The magnet is fitted with a metal oxide varistor to prevent back EMF.)
	The reed switch and its magnet are not aligned correctly.	<input type="checkbox"/> Check the installation of armature with supplied template.

**France**  
 CDVI  
 Tel: +331 48910102  
 Fax: +331 48912121  
 email: tech@cdvi.com

**UK**  
 CDV (UK) Ltd.  
 Tel: +44-1494-463232  
 Fax: +44-1494-441458  
 email: sales@cdvuk.com

**ITALY**  
 CDV ITALIA SRL  
 Tel: +39-0331 921 262  
 Fax: +39-0331 920 972  
 email: info@cdvitalia.it

**IRELAND**  
 ACCESS CDV IRELAND Ltd.  
 Tel: +353 17979697  
 Fax: +353 1 8377809  
 email: sales@cdvireland.com

**SWEDEN**  
 CDV SWEDEN AB  
 Tel: +46 60 184000  
 Fax: +46 60 615629  
 email: info@cdvsweden.se